

Beacon 110 Gas Monitor Operator's Manual

Part Number: 71-0110RK

Revision: H

Released: 12/5/17

Product Warranty

RKI Instruments, Inc., warrants gas alarm equipment sold by us to be free from defects in materials, workmanship, and performance for a period of one year from date of shipment from RKI Instruments, Inc. Any parts found defective within that period will be repaired or replaced, at our option, free of charge. This warranty does not apply to those items which by their nature are subject to deterioration or consumption in normal service, and which must be cleaned, repaired, or replaced on a routine basis. Examples of such items are:

- a) Absorbent cartridges
- b) Pump diaphragms and valves
- c) Fuses
- d) Batteries
- e) Filter elements

Warranty is voided by abuse including mechanical damage, alteration, rough handling, or repair procedures not in accordance with the operator's manual. This warranty indicates the full extent of our liability, and we are not responsible for removal or replacement costs, local repair costs, transportation costs, or contingent expenses incurred without our prior approval.

THIS WARRANTY IS EXPRESSLY IN LIEU OF ANY AND ALL OTHER WARRANTIES AND REPRESENTATIONS, EXPRESSED OR IMPLIED, AND ALL OTHER OBLIGATIONS OR LIABILITIES ON THE PART OF RKI INSTRUMENTS, INC., INCLUDING BUT NOT LIMITED TO, THE WARRANTY OF MERCHANTABILITY OR FITNESS FOR A PARTICULAR PURPOSE. IN NO EVENT SHALL RKI INSTRUMENTS, INC., BE LIABLE FOR INDIRECT, INCIDENTAL, OR CONSEQUENTIAL LOSS OR DAMAGE OF ANY KIND CONNECTED WITH THE USE OF ITS PRODUCTS OR FAILURE OF ITS PRODUCTS TO FUNCTION OR OPERATE PROPERLY.

This warranty covers instruments and parts sold to users by authorized distributors, dealers, and representatives as appointed by RKI Instruments, Inc.

We do not assume indemnification for any accident or damage caused by the operation of this gas monitor, and our warranty is limited to the replacement of parts or our complete goods.

Table of Contents

Chapter 1: Introduction	1
Overview	1
About the Beacon 110	1
About this Manual	1
Specifications	2
Chapter 2: Description	3
Overview	3
External Description	3
Internal Description	4
Optional Accessories	9
Chapter 3: Installation & Startup	12
Overview	12
Mounting the Beacon 110	12
Wiring the Beacon 110	13
Start Up	20
Chapter 4: Operation	21
Overview	21
Normal Operation	21
4 - 20 mA Signal Output Operation	21
Viewing and Resetting Min/Max Readings	22
Battery Charging (Optional)	22
Alarm Indications	23
Chapter 5: Configuration Mode	27
Overview	27
Viewing & Changing Beacon 110 Parameters	27

Chapter 6: Input Mode	30
Overview	30
Selecting the Detector Head Input and Gas Type	30
Chapter 7: Maintenance	34
Overview	34
Calibration Frequency	34
Calibration Mode	34
Replacing the Fuses	39
Preventive Maintenance	39
Trouble Shooting	40
Parts List	42
Appendix A: Control Button Quick Reference Guide	43

Chapter 1: Introduction

Overview

This chapter briefly describes the Beacon 110 Gas Monitor. This chapter also describes the *Beacon 110 Operator's Manual* (this document). Table 1 at the end of this chapter lists the specifications for the Beacon 110.

About the Beacon 110

The Beacon 110 is a fixed mount, single channel continuous-monitoring gas monitoring controller. All user adjustable parameters may be accessed using push button switches. Both direct connect (internal amplifier type) detector heads and 4 - 20 mA transmitter (remote amplifier type) detector heads may be used with the Beacon 110.

The Beacon 110 displays the current gas reading on an LCD display which is visible through a window in the door. It includes audible and visual alarms that warn you of hazardous gas conditions. The alarm circuit includes two levels of gas alarms. The fail circuit alerts you to failures in the gas detector heads or Beacon 110. The Beacon 110 provides a 4 - 20 mA signal proportional to the target gas reading for use by a recording device. Three sets of relay contacts, two controlled by the gas alarms and one by the fail alarm, rated at 10 amps 115 VAC, 10 amps 220 VAC, and 10 amps 30 VDC are available for controlling devices such as lights or horns or for controlling higher rated relays.

Three operating modes allow you to display and change setup and calibration settings and change the detector head input type. They are Calibration Mode, Configuration Mode, and Input Mode.

About this Manual

The *Beacon 110 Operator's Manual* uses the following conventions for notes, cautions, and warnings.

NOTE: Describes additional or critical information.


CAUTION: Describes potential damage to equipment.

WARNING: Describes potential danger that can result in injury or death.

Specifications

Table 1 lists specifications for the Beacon 110.

Table 1: Beacon 110 Specifications

Input Power	100/115/220V ~ ±10%, 50/60Hz, 0.2/0.2/0.1A or 24 V $\overline{\text{---}}$ ± 10%, 0.5A
Construction (housing)	Fiberglass/polyester with lexan window (NEMA 4X)
Dimensions	8.5 in. H x 6.5 in. W x 4.5 in. D (216 mm H x 165 mm W x 108 mm D)
Weight	4.2 lbs.
Safety/Regulatory	 C US 186718
Environmental Conditions	<ul style="list-style-type: none"> • For indoor or outdoor locations (Type 4X) • -20°C to 50°C (-4°F to 122°F) ambient • Maximum relative humidity of 80% • Main supply voltage fluctuations not exceeding ± 10% of nominal • DC supply voltage fluctuations not exceeding ±10% of nominal • Overvoltage Category II, Pollution Degree 2
Relays	<ul style="list-style-type: none"> • Relay contacts rated for 10A @ 115/220V~ resistive or 10A @ 30V $\overline{\text{---}}$ resistive • SPDT Form C
User Controls	<ul style="list-style-type: none"> • Three push button control switches • One ON/OFF toggle switch • One push button reset switch
Signal Output	<ul style="list-style-type: none"> • 4 to 20 mA, 500 ohms impedance max

Chapter 2: Description

Overview

This chapter describes external and internal components of the Beacon 110 gas monitor.

External Description

This section describes the housing and all external components of the Beacon 110. For the purposes of this description, the housing door is considered the front of the monitor.

Housing

The Beacon 110's fiberglass housing is weather- and corrosion-resistant. It is suitable for installation where general purpose equipment is in use. The housing door is hinged on the left side and is secured by two latches on the right side. The display screen and status lights are visible through a window in the housing door. Four mounting feet are attached to the back of the housing (one at each corner). The mounting feet allow installation to a vertical surface. Two conduit hubs on the bottom of the housing are for external wiring connections. In some cases, the instrument is shipped with the gas detector already installed in the right conduit hub and factory wired to the appropriate terminals inside the unit.

CAUTION: *Only use the two factory installed conduit hubs on the bottom of the housing for wire entry into the housing. Do not drill the housing for any reason.*

CAUTION: *To avoid electrical interference, do not route detector and power wiring through the same conduit hub.*

Buzzer

The buzzer is on the bottom center of the housing in front of the reset switch. The buzzer sounds audible alarms to warn you of gas alarms and instrument failures.

Reset Switch

The reset switch is on the bottom of the housing behind the buzzer. The reset switch serves three functions:

- You can reset the alarm circuits for “latched” alarms after an alarm 1 or alarm 2 condition passes.
- You can silence the buzzer during an alarm 1 or an alarm 2 condition. You cannot silence a fail condition.
- You can acknowledge and turn off the optional strobe in an alarm 1 or alarm 2 condition if it has been installed and setup for this type of operation.
- You can display and reset the minimum and maximum readings that the Beacon 110 has experienced since the last min/max reset or startup.

Internal Description

This section describes the internal components of the Beacon 110.

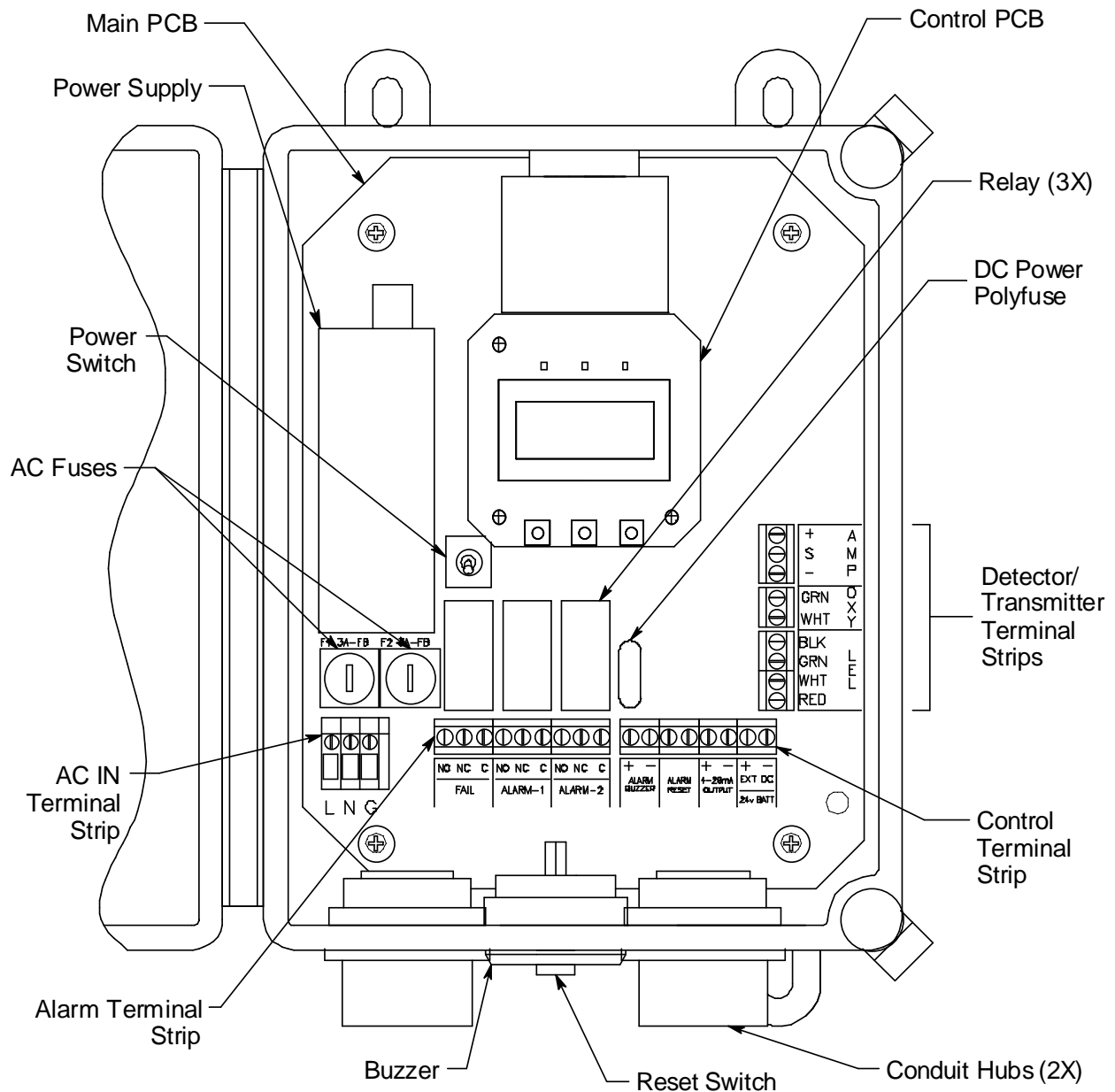


Figure 1: Beacon 110 Component Location

Main Printed Circuit Board (PCB)

The main PCB is mounted inside the housing. The main PCB includes the power supply, terminal strips, relays, fuses, and power switch.

Power Supply

The power supply is located on the left side of the main PCB. It takes AC line voltage supplied to the Beacon 110 and converts it to 24 VDC which is used to run the Beacon 110.

Terminal Strips

The Beacon 110 includes terminal strips for external and factory wiring connections. See “Wiring the Beacon 110” on page 13 for detailed wiring procedures.

- **AC In Terminal Strip.** The AC in terminal strip is a 3-point terminal strip located in the lower left corner of the main PCB. It facilitates wiring from the AC power source. Table 2 lists the function of each terminal.

Table 2: Terminal Assignments for the AC In Terminal Strip

Terminal	Connects to:
L	Hot (line) wire from AC power source.
N	Neutral wire from AC power source.
G	Earth ground

- **Alarm Terminal Strip.** The 9-point alarm terminal strip is located along the bottom edge of the main circuit board to the right of the AC in terminal strip (see Figure 1). It facilitates wiring external alarm devices (horn, strobe, etc.) to the alarm relay contacts and includes common (C), normally closed (NC) and normally open (NO) terminals for fail, alarm 1, and alarm 2.
- **Controller Terminal Strip.** The 8-point controller terminal strip is located along the bottom edge of the main circuit board to the right of the alarm terminal strip (see Figure 1). The controller terminal strip facilitates various internal and external wiring connections. Table 3 lists the function of each terminal.

Table 3: Terminal Assignments for the Controller Terminal Strip

Terminal	Connects to:
Alarm Buzzer + & -	Factory installed buzzer (factory-wired)
Alarm Reset (2)	Reset switch (factory-wired)
4 - 20 mA Output +	+ connection of 4 - 20 mA output
4 - 20 mA Output -	- connection of 4 - 20 mA output
EXT DC (24V BATT) +	+ connection from 24 VDC power source ¹ (or 24 V backup battery)
EXT DC (24V BATT) -	- connection from 24 VDC power source ¹ (or 24 V backup battery)

* ¹ **If DC power is used as the primary power source, do not make wiring connections to the AC terminal strip.**

- **Detector/Transmitter Terminal Strips.** Three adjacent terminal strips are located along the right side of the main circuit board above the controller terminal strip (see Figure 1). These three terminal strips facilitate wiring connections to a detector or a 4 - 20 mA transmitter. The lower 4-point terminal strip is labelled **LEL** and is used to wire a combustible detector. The middle 2-point terminal strip is labelled **Oxy** and is used to wire an oxygen detector. The top 3-point terminal strip is labelled **AMP** and is used to wire 4 - 20 mA transmitters or direct connect preamp type detectors. Although terminal strips are present for various types of detectors, only one detector head at a time may be wired to the Beacon 110.

Ground Stud

The threaded ground stud is used for making connections to earth ground. It is connected through the main PCB to the **G** (ground) terminal on the AC in terminal strip. A kep nut on the stud may be removed for installation of one or more lugs to make wiring connections. This stud is typically used to connect the shield drain wire of shielded cable to earth ground at the Beacon 110.

Relays

The Beacon 110 includes three alarm relays located above the alarm terminal strip. They are from left to right Fail, Alarm 1, and Alarm 2. The relays are form C, single-pole, double-throw (SPDT) and rated for 10 amps at 250 VAC (resistive).

NOTE: You can select normally energized (N.EN) or normally de-energized (N.DE-EN) settings for the alarm 1 and alarm 2 relays. See “Chapter 5: Configuration Mode” on page 27.

The fail relay is factory set as normally energized and is not user adjustable.

AC & DC Circuit Protection

Two AC fuses are used in the Beacon 110. The two fuses are located on the left side of the main PCB, above the AC power terminal strip and below the power supply. They cut off the incoming AC power in the event of a short circuit or other electrical fault which causes a high current draw in the Beacon 110. They are housed in vertical fuse holders and are held in the holder by a quarter turn cover. They are labelled as F1 (left fuse) and F2 (right fuse) on the PCB silk-screen and are rated at 3 A, 250 V.

A polyswitch is used to protect the DC power input. It is located to the right of the relays and is labelled on the PCB silkscreen as PS3. In the event of a short circuit or other electrical fault which causes a high current draw in the Beacon 110, the polyswitch will interrupt the DC power if the unit is powered from DC. When the fault situation is corrected, the polyswitch resets and the unit will continue to operate. The polyswitch is not user serviceable.

Power Switch

The power switch is located to the right of the power supply and above the relays (see Figure 1). The power switch turns the incoming AC power source on and off at the Beacon 110. When the switch is up, the power switch is on.

CAUTION: *The DC power input has no on/off switch and is not affected by the position of the power switch.*

Control PCB

The LCD display and control buttons are located on the control PCB. It is installed on the main PCB with three standoffs. The control PCB is connected to the main PCB with the display cable which is a ribbon cable terminated with 20 position rectangular connectors on each end. The display cable connects to the control PCB on the back of the top edge and to the main PCB directly below the control PCB.

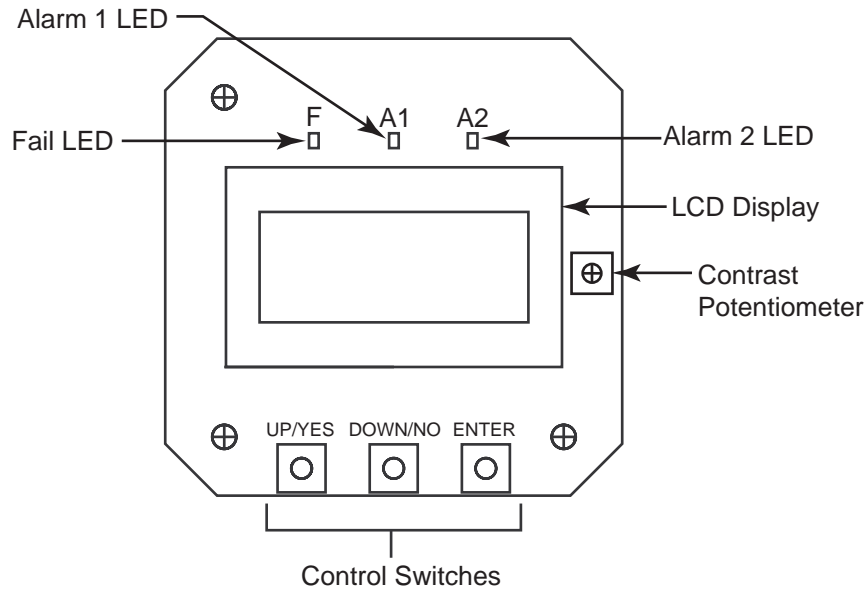


Figure 2: Control PCB Component Location

LCD Display

The LCD display is located at the top of the control PCB. It indicates the current gas reading and displays messages and parameters in the Beacon 110's operating modes.

Contrast Potentiometer

The contrast potentiometer is located to the right of the LCD display. It is used to adjust the contrast of the LCD. If the background of the LCD appears so dark that the characters are not visible or if the characters are too dim, turn the adjustment screw on the potentiometer clockwise or counterclockwise until the desired visibility is obtained.

Control Buttons

The Beacon 110 includes three push button switches that allow you to enter the Beacon 110's operating modes, navigate through the modes, update settings, and save changes to the settings. The push button switches are located along the bottom edge of the control PCB (see Figure 2). The UP/YES button is on the left, the DOWN/NO button is in the middle, and the ENTER button is on the right.

Table 4: Beacon 110 Control Button Functions

Switch	Function
UP/YES	<ul style="list-style-type: none"> Saves settings Changes the displayed setting Enters Calibration Mode Enters Input Mode (press with DOWN/NO button) Enters Configuration Mode (press with ENTER button)
DOWN/NO	<ul style="list-style-type: none"> Cancels setting changes Changes the displayed setting Enters Input Mode (press with UP/YES button) Displays the Information Screen

Table 4: Beacon 110 Control Button Functions

Switch	Function
ENTER	<ul style="list-style-type: none">• Initiates operations• Enters Configuration Mode (press with UP/YES button)• Accepts displayed parameters

Status LEDs

The Beacon 110 includes three active status LEDs that are located above the display (see Figure 1). Two LEDs, labelled RX and TX, to the right of those described below, are not active.

- Fail LED
The fail LED turns on when the Beacon 110 is experiencing a fail condition. A fail condition can be caused by a detector failure or low detector signal.
- Alarm 1 LED
The alarm 1 LED is on when the Beacon 110 is experiencing an alarm 1 condition.
- Alarm 2 LED
The alarm 2 LED is on when the Beacon 110 is experiencing an alarm 2 condition.

Optional Accessories

This section describes the optional accessories available for the Beacon 110. Both optional accessories are wired to the Strobe Terminal Strip as shown below.

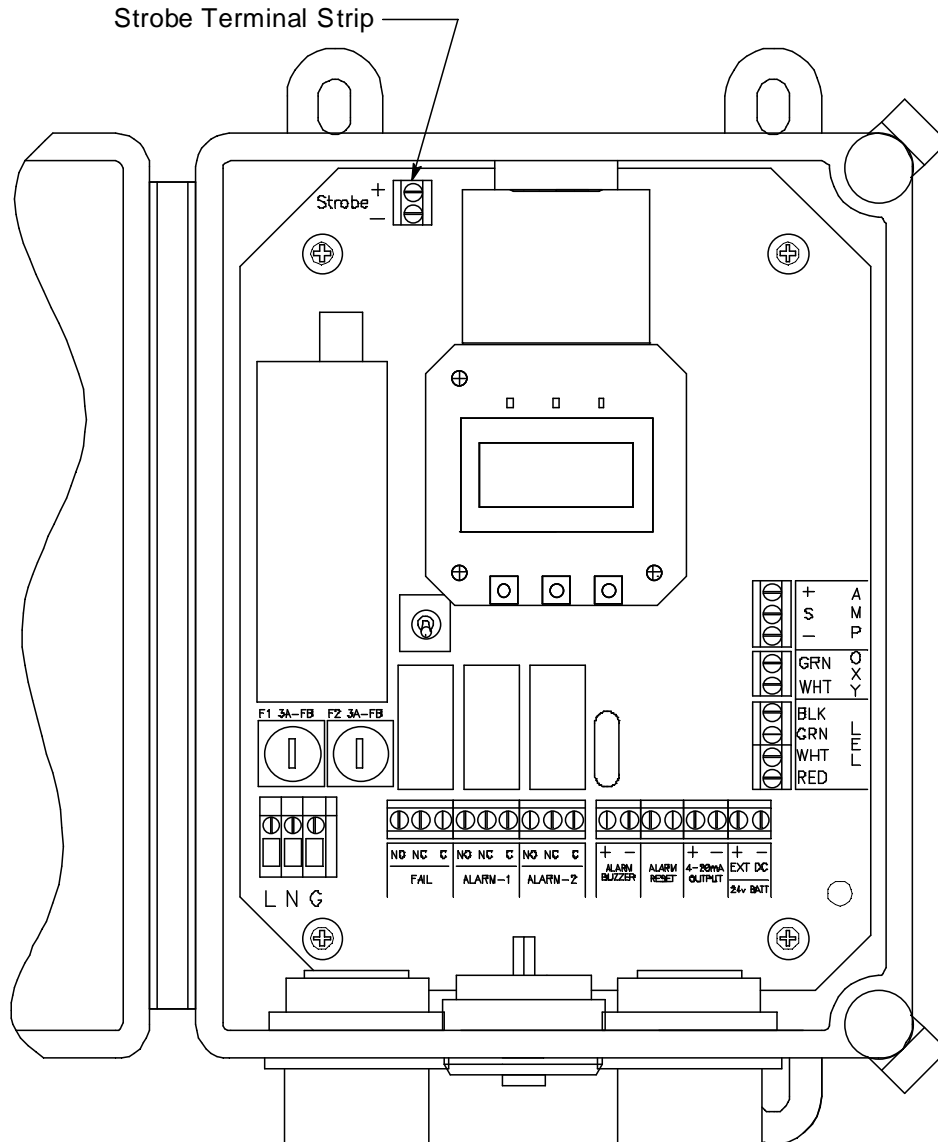


Figure 3: Strobe Terminal Strip Location

Alarm Strobe

The Beacon 110 can be ordered with a red alarm strobe light installed on the top of the housing. The Beacon 110 retains its NEMA 4X rating with the strobe installed. Strobe operation can be programmed in Configuration Mode (see “Chapter 5: Configuration Mode” on page 27). The outline and mounting dimensions of the Beacon 110 with the optional alarm strobe mounted are the same as the standard Beacon 110 without the strobe. See Figure 6 for outline and mounting dimensions.

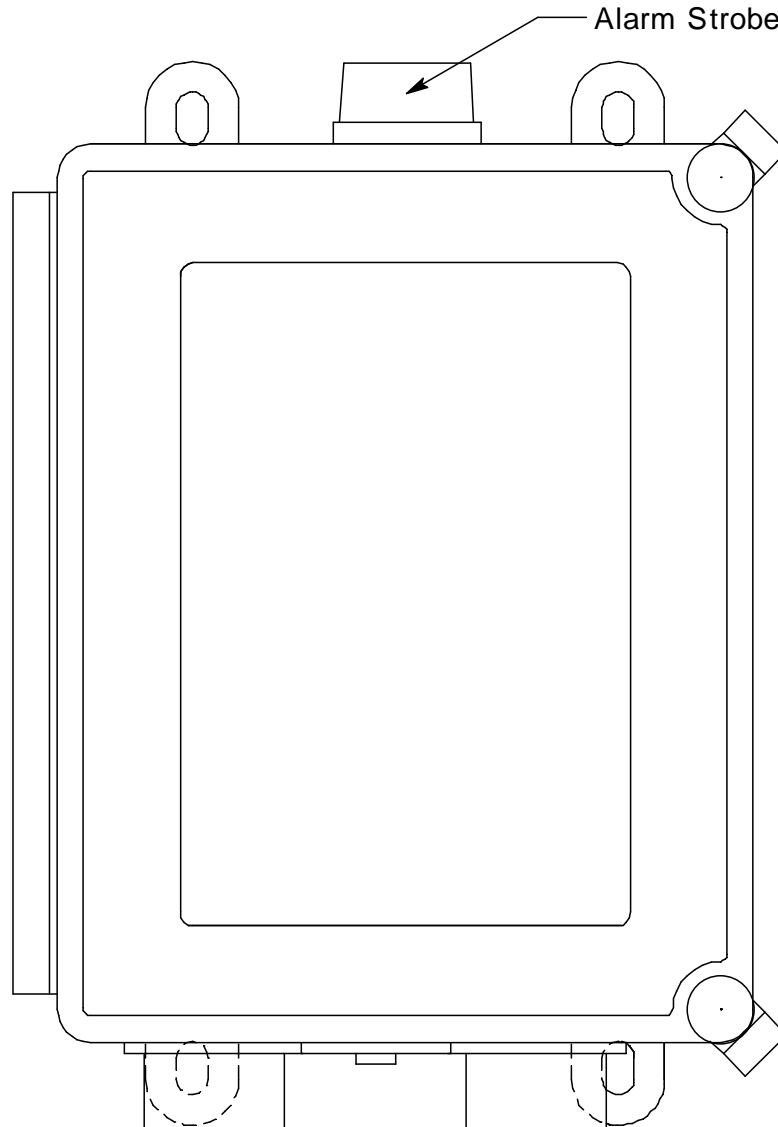


Figure 4: Beacon 110 with Alarm Strobe

Horn/Strobe

The Beacon 110 can be ordered with a horn/strobe. This optional horn/strobe allows the user to have both a strobe and a horn connected to the “Strobe” terminals of the Beacon 110. If the horn/strobe is not factory installed, it also allows the user to mount the horn/strobe away from the Beacon 110 so that it can be somewhere more visible/audible. Strobe operation can be programmed in Configuration Mode (see “Chapter 5: Configuration Mode” on page 27).

NOTE: See “Chapter 3: Installation & Startup” on page 12 for complete Beacon 110 installation instructions.

CAUTION: Do not adjust the strobe brightness or the horn volume at the strobe/horn, as this may overload the Beacon 110 strobe control circuit.

The optional horn/strobe is generally not factory installed and needs to be installed by the user. The following instructions describe the installation of the horn/strobe. If the horn/strobe is factory installed, the following instructions do not apply.

1. Mount the horn/strobe in the desired location.
2. Install an appropriately rated cable bushing or conduit to the left conduit hub on the bottom of the Beacon 110 housing.
3. Install an appropriately rated cable bushing or conduit at the horn/strobe.
4. Run a cable or wires in conduit from the horn/strobe to the Beacon 110 through the left conduit hub.
5. Connect the wires to the strobe terminal strip as shown in the figure below.

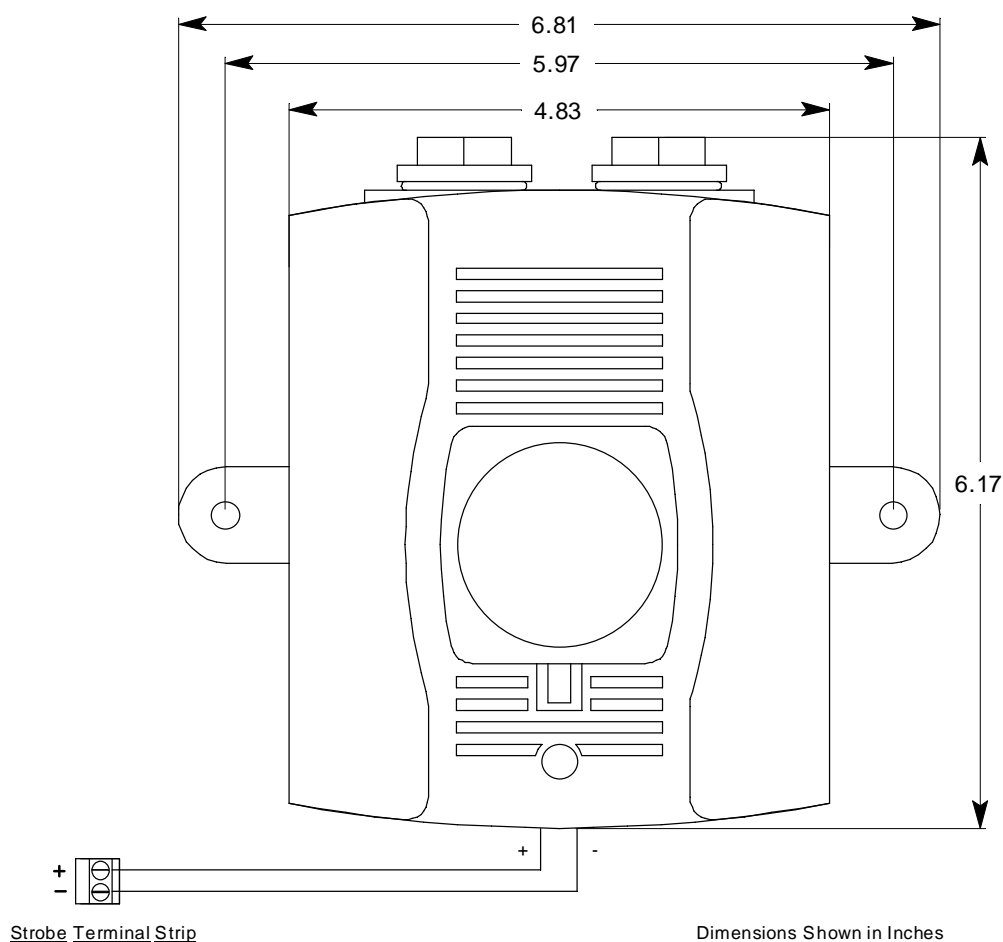


Figure 5: Horn/Strobe Wiring/Outline and Mounting Dimensions

Chapter 3: Installation & Startup

Overview

This chapter describes procedures to mount the Beacon 110 Gas Monitor, make wiring connections to the monitor, and start up the monitor.

WARNING: Perform all installation and start-up procedures in a “fresh air” environment (environment known to be free of combustible gas, toxic gas, and of normal oxygen content). The Beacon 110 is not in operation as a gas monitoring system until the start-up procedure is complete.

Mounting the Beacon 110

Perform the following procedure to install the instrument housing at the mounting site.

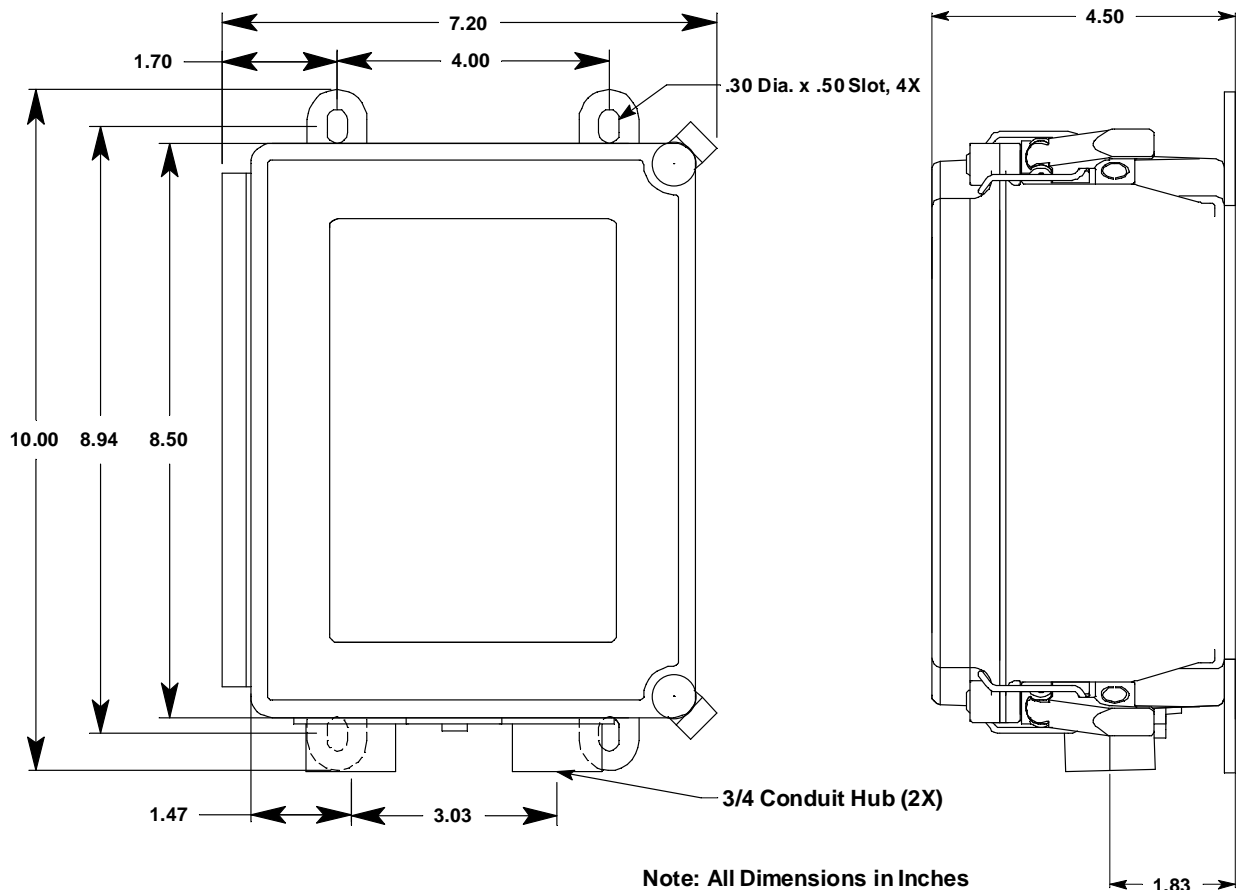


Figure 6: Beacon 110 Outline & Mounting Dimensions

1. Select the mounting site. When you select the mounting site consider the following factors:
 - Is an AC or DC power source available?

- Is there enough room to open the housing door and make wiring connections through the conduit hubs at the bottom of the housing?
 - Are the display screen and status lights visible?
2. If necessary, close and latch the housing door.
 3. Position the monitor on a vertical surface at eye level (4 1/2 to 5 feet from the floor).
 4. Insert 1/4 in. or 5/16 in. screws through the slots in the mounting feet at each corner of the housing to secure the housing to the mounting surface.

Wiring the Beacon 110

This section describes procedures to connect the AC power source, DC power source, external alarm(s), recorder, and detector head.

WARNING: *Make all connections to the Beacon 110 before you plug in or turn on the AC or DC power source. Before you make any wiring adjustments, always verify that all power sources are not live.*

Routing Wiring Into the Beacon 110 Housing

Wiring must be brought into the housing through one of the two factory-installed conduit hubs on the bottom of the housing.

Do not drill into the Beacon 110 housing for any reason. Drilling the Beacon 110 housing and routing wiring through holes not factory drilled will void the warranty and could result in:

- Damage to internal components from the drilling process.
- Moisture damage to internal components from poorly sealed holes.
- Unpredictable Beacon 110 behavior due to EMI/RFI interference caused by wires routed across the PCBs.
- Possible shorting of Beacon 110 components due to wires routed across the PCBs.

Connecting the AC Power Source

NOTE: If you are using DC power as the primary power source, go to the next section, "Connecting the DC Power Source".

The AC in terminal strip will accept 24 - 14 AWG wire. All connections to building electrical systems must be installed in accordance with local requirements and must be installed by qualified personnel. If this equipment is used in a manner not specified by the manufacturer, the protection provided by the equipment may be impaired. Install an appropriate switch or circuit breaker in the AC line close to the Beacon 110 that meets the local electrical code and within easy reach of the operator. The switch or circuit breaker must be marked as the disconnecting device for the Beacon 110.

Perform the following procedure to connect the AC power source to the Beacon 110.

WARNING: *Verify that the power source is unplugged or turned off before you continue with this procedure.*

1. Turn off or unplug all incoming power to the Beacon 110.
2. Open the housing door, then place the power switch in the OFF position.

CAUTION: *The power switch does not control DC input power.*

3. Install an appropriately rated cable bushing or conduit to the left conduit hub on the bottom of the Beacon 110 housing.

CAUTION: *Only use the two factory installed conduit hubs on the bottom of the housing for wire entry into the housing. Do not drill the housing for any reason. See “Routing Wiring Into the Beacon 110 Housing” on page 13 for more information.*

4. Locate the 3-point AC in terminal strip in the lower left corner of the main PCB (see Figure 1). The terminals are labelled **L**, **N**, and **G**.
5. Guide the AC power cord or wires through the left conduit hub on the bottom of the Beacon 110 housing.

CAUTION: *Do not route power and detector head wiring through the same conduit hub. The power wiring may disrupt the transmission of the detector head signal to the monitor.*

6. Connect the AC wires to the AC power terminal strip as shown in Figure 7 below.

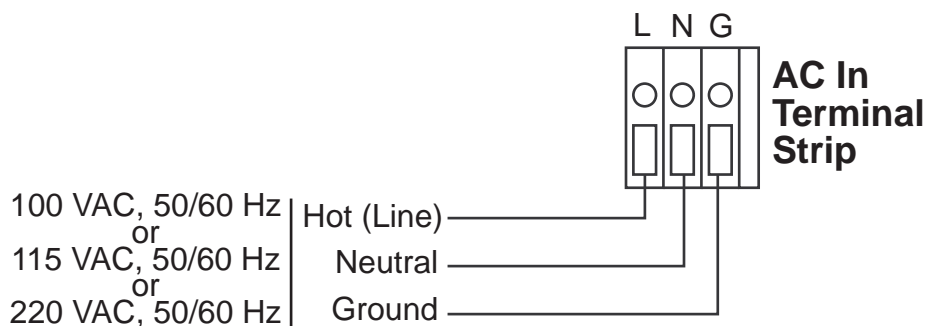


Figure 7: AC Power Wiring

Connecting the DC Power Source

WARNING: *Verify that the power source is unplugged or turned off before you continue with this procedure.*

DC power may be used as a primary power source. If DC power (connected to the External DC In terminals) is the **primary** power source, **DO NOT** connect AC power to the AC In terminal strip.

A 24 VDC battery (connected to the External DC in terminals) may also be used as a backup power source if AC power (connected to the AC In terminal strip) is the primary power source. If your Beacon 110 does not include the battery charging feature, you may use a self contained 24 VDC backup that keeps its batteries charged while AC power is on and recharges the batteries when AC power returns after a power failure. If your Beacon

110 includes the battery charging feature, see “Battery Charging (Optional)” on page 22 for a complete description of this feature and what type of battery to use.

WARNING: *The External DC In terminals on the controller terminal strip are only intended for connecting a battery or a 24 VDC supply to the Beacon 110. Do not connect any horns or strobes to the External DC In terminals on the controller terminal strip.*

1. Turn off or unplug all incoming power to the Beacon 110.
2. Open the housing door, then place the power switch in the OFF position.

CAUTION: *The power switch does not control DC input power.*

3. Locate the DC power terminals on the controller terminal strip in the lower right corner of the main PCB (see Figure 1). They are labelled EXT DC + and EXT DC -.
4. Install an appropriately rated cable bushing or conduit to the left conduit hub on the bottom of the Beacon 110 housing.

CAUTION: *Only use the two factory installed conduit hubs on the bottom of the housing for wire entry into the housing. Do not drill the housing for any reason. See “Routing Wiring Into the Beacon 110 Housing” on page 13 for more information.*

5. Guide a DC power cord or wires through the conduit hub.

CAUTION: *Do not route power and detector head wiring through the same conduit hub. The power wiring may disrupt the transmission of the detector head signal to the monitor.*

6. Connect the DC wires to the controller terminal strip as shown in Figure 8.

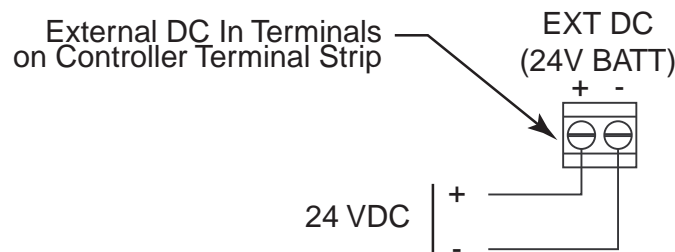


Figure 8: DC Power Wiring

NOTE: The Beacon 110 will operate from the DC input down to 18.5 volts. If a self contained backup battery is used, see its operator’s manual for a description of its recharging characteristics. If your Beacon 110 includes the battery charging feature and a backup battery is used, the Beacon 110 will recharge the battery when AC power has returned after a power failure. See “Battery Charging (Optional)” on page 22 for a complete description of the battery charging feature.

Connecting External Alarms

Perform the following procedure to connect external alarms to the Beacon 110.

WARNING: *Do not connect external alarms to the External DC In terminals on the controller terminal strip.*

1. Turn off or unplug all incoming power to the Beacon 110.
2. Open the housing door, then place the power switch in the OFF position.

CAUTION: *The power switch does not control DC input power.*

3. Locate the alarm terminal strip. See Figure 1 “Beacon 110 Component Location” on page 4, to assist you in locating the alarm terminal strip.
4. Install an appropriately rated cable bushing or conduit in the left conduit hub on the bottom of the Beacon 110 housing. This hub is typically used for power wiring and may already have conduit or other fittings installed because of this.

CAUTION: *Only use the two factory installed conduit hubs on the bottom of the housing for wire entry into the housing. Do not drill the housing for any reason. See “Routing Wiring Into the Beacon 110 Housing” on page 13 for more information.*

5. Guide the wiring of the external alarm through the left conduit hub on the bottom of the Beacon 110 housing.

CAUTION: *Do not route the external alarm wiring and detector wiring through the same conduit hub. The external alarm wiring may disrupt the transmission of the detector signal to the Beacon 110.*

6. Connect the leads from the external alarm to the appropriate terminals on the alarm terminal strip as shown in Figure 9 to obtain the desired operation.

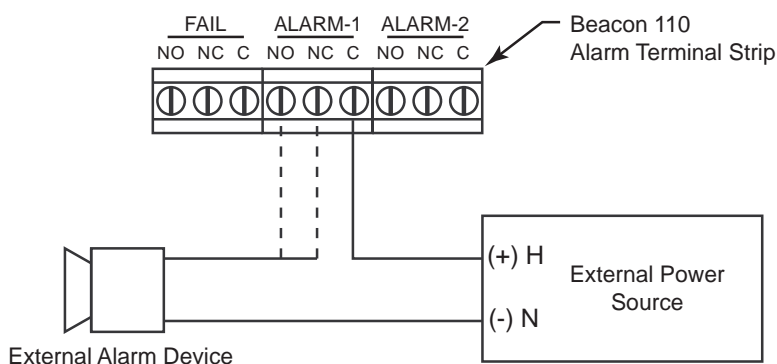


Figure 9: Typical Alarm Device Wiring

7. Repeat steps 5 and 6 for additional alarm devices.

Connecting Recorders

Perform the following procedure to connect an analog signal recording device to the Beacon 110. The output at the recorder output terminals is a 4 - 20 mA signal that is proportional to the detection range of the detector head connected to the Beacon 110.

1. Turn off or unplug incoming power to the Beacon 110.
2. Open the housing door, and locate the recorder output terminals on the controller terminal strip. See Figure 1 “Beacon 110 Component Location” on page 4 to assist you in locating the recorder output terminals. They are labelled **4 - 20 mA OUTPUT +** and **4 - 20 mA OUTPUT -**.
3. Place the power switch in the off position.

CAUTION: *The power switch does not control DC input power.*

4. Install an appropriately rated cable bushing or conduit in the left conduit hub on the bottom of the Beacon 110 housing. This hub is typically used for power wiring and may already have conduit or other fittings installed because of this.

CAUTION: *Only use the two factory installed conduit hubs on the bottom of the housing for wire entry into the housing. Do not drill the housing for any reason. See “Routing Wiring Into the Beacon 110 Housing” on page 13 for more information.*

5. Guide the wiring from the recording device through the left conduit hub on the bottom of the Beacon 110 housing.
6. Connect the leads from the recording device to the analog output terminal strip as shown in Figure 10 below.

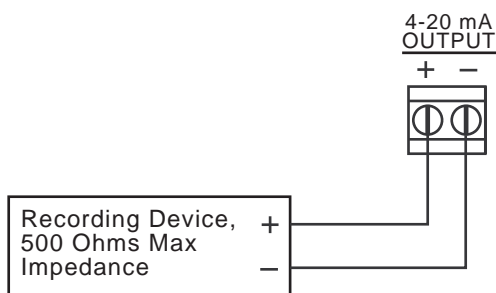


Figure 10: Recorder Output Wiring

Connecting RKI Detector Heads

Perform the following procedure to connect an RKI detector head to the Beacon 110.

1. Turn off or unplug power to the Beacon 110.
2. Open the Beacon 110 door and place the power switch in the off position.
3. See the detector head operator’s manual for instructions on how to connect the detector head to a controller.

4. Install an appropriately rated cable bushing or conduit in the right conduit hub on the bottom of the Beacon 110 housing.

CAUTION: *Only use the two factory installed conduit hubs on the bottom of the housing for wire entry into the housing. Do not drill the housing for any reason. See “Routing Wiring Into the Beacon 110 Housing” on page 13 for more information.*

5. Route the wires in conduit or shielded cable from the detector head through the right conduit hub into the Beacon 110. See Table 5 below for wire size and distance guidelines.
6. Unshielded twisted pair cable in conduit or shielded twisted pair cable is recommended for all the direct connect detector heads. For the LEL detector, pair and twist the **R & B** wires and the **W & G** wires. Shielded cable or wires in conduit are recommended for the 2-wire and 3-wire 4 - 20 mA transmitters.
7. Connect the wires from the detector head to the appropriate detector/transmitter terminals. See the detector head operator’s manual and the Beacon 110 Detector Head Specifications sheet for detector head connections to the Beacon 110. If shielded cable is used, connect the cable shield’s drain wire at the Beacon 110 to the ground stud on the main PCB.

CAUTION: *Do not route power and detector head wiring through the same conduit hub. The power wiring may disrupt the transmission of the detector head’s to the Beacon 110.*

Table 5: Wire Size Guidelines for RKI Detector Head Wiring

Detector Head Type	Number of Wires to Controller	Max Distance to Controller w/18 Gauge Wire	Max Distance to Controller w/16 Gauge Wire	Max Distance to Controller w/14 Gauge Wire
Direct Connect LEL	4	500 ft.	1,000 ft.	2,000 ft.
Direct Connect Oxygen	2	500 ft.	1,000 ft.	2,000 ft.
Direct Connect H2S	2	500 ft.	1,000 ft.	2,000 ft.
Direct Connect CO	2	500 ft.	1,000 ft.	2,000 ft.
Direct Connect ESM-01 type	2	500 ft.	1,000 ft.	2,000 ft.
2-Wire 4 - 20 mA Transmitter	2	2,500 ft.	5,000 ft.	8,000 ft.
3-Wire 4 - 20 mA Transmitter	3	2,500 ft.	5,000 ft.	8,000 ft.

Connecting User-Supplied 4 to 20 mA Transmitters

The Beacon 110 may be used with a user supplied 2-wire or 3-wire source type 4 - 20 mA transmitter which runs on 24 VDC. When this is done, the Beacon 110 is normally setup at RKI Instruments with the following parameters: item name (example: Pressure), unit of measure (example: PSI), and full scale (example: 100). For example, a Beacon 110 can be setup for "Pressure" with units of "PSI" and a full scale of "100" PSI.

Perform the following procedure to connect a 4 to 20 mA transmitter that you supply to the Beacon 110.

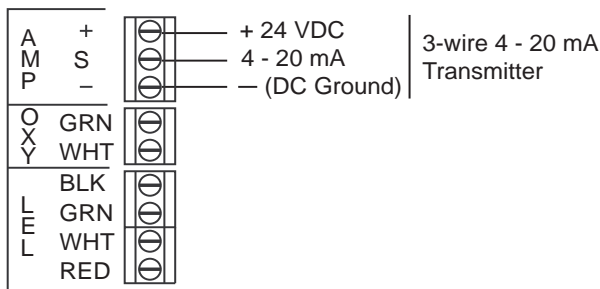
1. Turn off or unplug power to the Beacon 110.
2. Open the Beacon 110 door and turn off the power switch.
3. See the transmitter's instruction manual for instructions on how to connect wires to the transmitter.
4. Install an appropriately rated cable bushing or conduit in the right conduit hub on the bottom of the Beacon 110 housing.

CAUTION: Only use the two factory installed conduit hubs on the bottom of the housing for wire entry into the housing. Do not drill the housing for any reason. See "Routing Wiring Into the Beacon 110 Housing" on page 13 for more information.

5. Route the wires from the transmitter through the right conduit hub into the Beacon 110.
6. Connect the wires from the transmitter to the AMP terminal strip. Figure 11 below illustrates typical transmitter wiring connections. See the transmitter instruction manual for controller terminal connections. If shielded cable is used, connect the cable shield's drain wire at the Beacon 110 to the ground stud on the main PCB.

CAUTION: Do not route power and transmitter wiring through the same conduit hub. The power wiring may disrupt the transmission of the transmitter's signal to the Beacon 110.

3-Wire Connection



2-Wire Connection

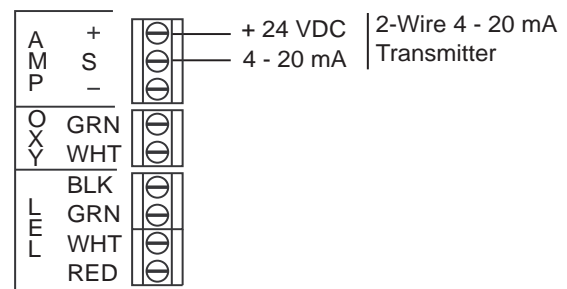


Figure 11: Generic 4 - 20 mA Transmitter Wiring

Start Up

Introducing Incoming Power

Perform the following procedure to place the Beacon 110 into normal operation.

1. Complete the mounting and wiring procedures described earlier in this chapter.
2. Complete all installation procedures described in the detector head or user supplied 4 - 20 mA transmitter operator's manual.
3. Verify that all wiring connections are correct and secure and that the Beacon 110's power switch is in the OFF position.
4. Plug in or turn on the incoming power source (AC or DC).
5. Turn on the power switch if AC power is used as primary power.
6. The LCD display will indicate the firmware version when the Beacon 110 is first powered up and will then count down a one minute warm-up period before normal operation begins. During normal operation, the display will indicate the current gas reading and target gas. Verify that the display is indicating the current gas reading and target gas after the warm-up period is complete and normal operation begins, for example:

METHANE 0 %LEL

NOTE: To prevent unwanted alarms during warm up, the alarm circuits are not active during the warm-up period.

7. Perform the start-up procedure for the RKI detector head or user supplied 4 - 20 mA transmitter as described in the detector head or transmitter operator's manual.

Chapter 4: Operation

Overview

This chapter describes the Beacon 110 in normal operation. This chapter also describes the Beacon 110 in alarm 1, alarm 2, and fail conditions and suggests response to these conditions.

Normal Operation

Normal operation is defined as follows:

- The start-up procedure is complete.
- The Beacon 110 is not indicating an alarm 1, alarm 2, or fail condition.
- The Beacon 110 is not in Calibration, Configuration, or Input Mode.

During normal operation, the Beacon 110 simultaneously displays the current gas reading, unit of measure, and target gas. The example below illustrates a typical LEL Beacon 110.

METHANE 0 %LEL

4 - 20 mA Signal Output Operation

The output at the 4 - 20 mA output terminals is a 4 - 20 mA signal that is proportional to the detection range of the Beacon 110. During normal operation, this signal tracks the gas concentration on the LCD.

There are several circumstances where the signal output will not track the display reading but will behave as follows:

- When the Beacon 110 is in its warm-up period, the signal output will be fixed at 4 mA (zero) for all gas types except oxygen. For oxygen types, the output will be fixed at 17.4 mA (20.9% oxygen) while the Beacon 110 is in warm-up.
- When the Beacon 110's gas type is changed, the Beacon 110 will enter Configuration Mode for you to verify the parameter settings. When you exit Configuration Mode, the display will indicate **NEEDS CALIBRATION** and will continue to indicate this until Calibration Mode is entered and a calibration is performed. In this situation, the signal output will be fixed at 3.5 mA for all versions other than oxygen and 17.4 mA for oxygen versions from the time Gas Type Mode is entered until the Beacon 110 is calibrated and returns to normal operation.
- If you enter Calibration Mode, Configuration Mode, or Gas Type Mode, the signal output will be fixed at 3.5 mA for all versions other than oxygen and 17.4 mA for oxygen versions until the Beacon 110 returns to normal operation.
- If the Beacon 110's input power decreases below 18.5 volts so that the Beacon 110 is in a low power alarm, the signal output is fixed below 2.4 mA until the low power alarm is cleared.

- If the Beacon 110 goes into a fail condition, after a 30 second delay, the signal output is fixed below 2.4 mA until the fail alarm is cleared. During the 30 second delay, the output follows the detector output. In the case of a downscale reading, the displayed gas reading will only go as low as -10% of full scale but the signal output will continue to track the reading even if it's lower than -10% of full scale.

Viewing and Resetting Min/Max Readings

The reset switch may be used to view and reset the minimum and maximum gas readings.

NOTE: Minimum and maximum readings are reset if the instrument is turned off.

1. While the Beacon 110 is in normal operation, press and hold the reset switch button for 5 seconds.
2. The display will indicate the minimum reading on the bottom display line and the maximum reading on the top display line for about 3 seconds before indicating **<RESET> TO CLEAR**.
3. To return to normal operation without resetting the minimum and maximum readings, do not press the reset switch button and allow the unit to return to normal operation. It will return to normal operation in about 5 seconds.

To reset the minimum and maximum readings, press and hold the reset switch button while the **<RESET> TO CLEAR** message is on the display until the display indicates **Min/MAX Is RESET**. Release the reset switch button. The unit will then return to normal operation in about 5 seconds.

Battery Charging (Optional)

The Beacon 110 has an optional backup battery charging feature. In order for this feature to be included, the Beacon 110 must be ordered with this feature. Consult RKI Instruments, Inc. for ordering information.

The battery charging circuit is designed to charge lead acid type batteries. If AC power is used as primary power and a backup battery is connected to the Beacon 110's EXT DC/24V BATT terminals as shown in Figure 8, the battery charging feature will charge the battery if it is depleted and keep it charged with a charge current of approximately 100 mA.

CAUTION: *When a battery is used as backup power and the charging feature is included in the Beacon 110, do not use a non-rechargeable battery or backup battery that has a charging feature. Use RKI backup battery 49-8102RK or an appropriately rated 24 VDC rechargeable lead acid type battery.*

Alarm Indications

NOTE: The Beacon 110 includes alarm on and alarm off delay settings for alarm 1 and alarm 2. The alarm indications described in this section operate according to the factory set alarm settings. See Table 7 on page 28 for all the factory settings.

Table 6: Visual and Audible Alarm Indications

Condition	Cause	Visual Indication(s)	Audible Indication
Alarm 1 ¹	Increasing (decreasing for O ₂) gas reading at or above the alarm 1 setpoint	<ul style="list-style-type: none"> Alarm 1 LED is on Gas reading alternates with ALARM-1 message If installed and set to activate for alarm 1, strobe flashes 	<ul style="list-style-type: none"> Pulsing tone
Alarm 2 ¹	Increasing gas reading at or above the alarm 2 setpoint	<ul style="list-style-type: none"> Alarm 2 LED is on Gas reading alternates with ALARM-2 message If installed and set to activate for alarm 2, strobe flashes 	<ul style="list-style-type: none"> Pulsing tone
Fail	<ul style="list-style-type: none"> Disconnected or misconnected detector head wiring Display reading at -10% of full scale or lower Defective components 	<ul style="list-style-type: none"> Fail LED is on FAIL message replaces gas reading If installed, strobe flashes <p><i>NOTE: There is a 30 second delay on the fail indications.</i></p>	<ul style="list-style-type: none"> Steady tone
Low Power	DC power source less than 18.5 volts.	<ul style="list-style-type: none"> Fail LED is on LowPower message and actual voltage of incoming DC power 	<ul style="list-style-type: none"> None
* ¹ <i>If the Beacon 110 is in both an alarm 1 and an alarm 2 condition, both alarm LEDs are on and the display alternates between the gas reading and the ALMS 1&2 message.</i>			

NOTE: You can select normally energized (N. EN) or normally de-energized (N. DE-EN) alarm 1 and alarm 2 relay settings in Configuration Mode. The following sections describe the standard factory setting for these relays which is N. DE-EN.

The fail relay is set as normally energized in the firmware and is not user-adjustable.

Alarm 1 Condition

Alarm 1 Condition Indications

When the gas reading reaches the alarm 1 setpoint, the Beacon 110 senses an alarm 1 condition. The Beacon 110 alerts you to an alarm 1 condition as follows:

- The alarm 1 LED turns on.
- The gas reading alternates with the **ALARM-1** message.
- The buzzer sounds a pulsing tone.
- The alarm 1 relay energizes.
- If the optional strobe is installed and set to operate for alarm 1, it flashes.

Responding to an Alarm 1 Condition

1. Follow your established procedure for a low level combustible or toxic gas condition or a decreasing oxygen concentration condition.
2. Oxygen alarms are factory set as self-resetting and will automatically clear when the oxygen reading rises above the alarm 1 setpoint.
3. Alarms for all other gas types are factory set as latching. After the gas reading falls below (or rises above for oxygen) the alarm 1 setpoint, press the reset switch to reset the alarm 1 circuit. Resetting the alarm 1 circuit silences the buzzer, turns off the alarm 1 LED, returns the LCD to the normal operation screen, de-energizes the alarm 1 relay, and turns off the strobe if it is installed and set to operate for alarm 1.

NOTE: If the reset switch is pressed while the Beacon 110 is in an alarm 1 condition, the buzzer will be silenced and the alarm 1 LED will flash. If the strobe is installed and its alarm 1 operation is set to **CanReset** in Configuration Mode, the strobe will turn off.

You cannot de-energize the alarm 1 relay until the gas reading falls below (above for oxygen) the alarm 1 setpoint.

Alarm 2 Condition

Alarm 2 Condition Indications

When the gas reading reaches the alarm 2 setpoint, the Beacon 110 senses an alarm 2 condition. The Beacon 110 alerts you to an alarm 2 condition as follows:

- The alarm 2 LED turns on.
- The gas reading alternates with the **ALARM-2** message.
- The buzzer sounds a pulsing tone.
- The alarm 2 relay energizes.
- If the optional strobe is installed and set to operate for alarm 2, it flashes.

NOTE: If the Beacon 110 is in both an alarm 1 and alarm 2 condition, both the alarm 1 and alarm 2 LEDs will be on, the gas reading will alternate with the **ALMS 1&2** message, and both alarm relays will energize.

Responding to an Alarm 2 Condition

1. Follow your established procedure for a high level combustible or toxic gas condition or an increasing oxygen concentration condition.
2. Oxygen alarms are factory set as self-resetting and will automatically clear when the oxygen reading rises above the alarm 2 setpoint.
3. Alarms for all other gas types are factory set as latching. After the gas reading falls below the alarm 2 setpoint, press the reset switch to reset the alarm circuit. Resetting the alarm circuit silences the buzzer, turns off the Alarm 2 LED, returns the LCD to the normal operation screen, de-energizes the alarm 2 relay, and turns off the strobe if it is installed and set to operate for alarm 2.

NOTE: If the reset switch is pressed while the Beacon 110 is in an alarm 2 condition, the buzzer will be silenced and the alarm 2 LED will flash but all other indications will remain unchanged. If the strobe is installed and its alarm 2 operation is set to **CanReset** in Configuration Mode, the strobe will turn off.

You cannot de-energize the alarm 2 relay until the gas reading falls below the alarm 2 setpoint.

Fail Condition

Fail Condition Indications

The Beacon 110 indicates a fail condition for any of the following:

- The detector head wiring is disconnected or incorrectly connected.
- The display reading is -10% of full scale or lower.

When the Beacon 110 senses a fail condition, it alerts you as follows:

- The fail LED turns on.
- The gas reading is replaced by the **FAIL** message.
- The buzzer sounds a steady tone.
- The fail relay de-energizes.
- If installed, the strobe flashes.

NOTE: The fail alarm has a 30 second delay.

Responding to a Fail Condition

NOTE: A fail condition cannot be reset using the reset switch.

1. Verify that the detector head wiring is correctly and securely connected.
2. If the detector head includes a replaceable plug-in sensor, verify that the replaceable plug-in sensor is properly installed.
3. If necessary set the zero reading for your detector head as described in "Calibration Mode" on page 34.

Low DC Power Alarm

Low DC Power Alarm Indications

This section describes the audible and visual indications for a low DC power condition and suggests response to a low DC power condition. This condition only applies when DC power is used as a primary or backup power source.

The Beacon 110 senses a DC low power condition when the DC power source is 18.5 volts or less.

WARNING: *While in a low power condition, the Beacon 110 is not an active gas monitor.*

When the Beacon 110 senses a low DC power condition, it alerts you as follows:

- The fail LED turns on.
- The message **LowPower** is indicated on the top line of the LCD and the input voltage is displayed on the bottom line of the LCD.

NOTE: The low DC power alarm cannot be cleared using the reset switch.

When the DC input voltage increases to 19.0 volts, the low DC power alarm is cleared and the Beacon 110 will begin its warm-up sequence.

Responding to a Low DC Power Condition

- If DC power is the **primary** power source:
 1. For a *temporary* DC power source, disconnect primary DC power at the Beacon 110, then connect a 24 VDC battery.
 2. Determine and correct the cause of primary DC power loss.

When the DC power source rises above 19.0 volts, the Beacon 110 begins the warm up process.
 3. Verify that the Beacon 110 enters normal operation after its warm-up sequence.
- If DC power is the **backup** power source:
 1. If a non-rechargeable battery is used for backup, replace the battery.
 2. Determine and correct the cause of primary AC power loss. When backup DC or primary AC power is restored, the Beacon 110 begins the warm up process.

If the Beacon 110 was purchased with the battery charging feature, when AC power is restored, the Beacon 110 charges the backup battery with a charge current of approximately 100 mA until it is fully recharged. Charge time varies depending on the battery size and how much the battery was depleted. Once the battery is fully charged, the Beacon 110 maintains the charge with the 100 mA charge current.

3. Verify that the Beacon 110 enters normal operation after its warm-up sequence.

Chapter 5: Configuration Mode

Overview

This chapter describes how to view and change Beacon 110 parameters using Configuration Mode. It is accessed using the program buttons.

Configuration Mode includes a 5-minute time-out feature. If you do not press a control button for 5 minutes, the Beacon 110 automatically returns to normal operation.

NOTE: If the Beacon 110 returns to normal operation because of a time-out, it enters a warm-up period just as it does when it is first turned on.

If you are installing a new Beacon 110, it has been set up at the factory. Use Configuration Mode only if you want to change the Beacon 110's setup. If you want to change the detector type see "Chapter 6: Input Mode" on page 30.

Viewing & Changing Beacon 110 Parameters

1. While in normal operation, simultaneously press and hold the UP/YES and ENTER buttons for 5 seconds to enter Configuration Mode. Release the buttons when the following screen appears.

Enter
Config?

2. If you want to exit Configuration Mode, press and release the DOWN/NO button and the Beacon 110 will return to normal operation.

If you want to continue in Configuration Mode, press and release the UP/YES button. The target gas and the full scale will be displayed for a few seconds before the first adjustable parameter, the alarm 1 setpoint, is displayed.

3. If you want to change the currently displayed parameter, use the UP/YES and DOWN/NO buttons to adjust it to the desired setting, then press ENTER to continue to the next parameter.

If the currently displayed parameter is OK, press the ENTER button to proceed to the next parameter.

Table 7 lists the Beacon 110 parameters you can set. Table 7 also lists the factory set value for each parameter.

Table 7: Configuration Parameters

Parameter (Factory Set Value)	Description
ALARM-1 (level) See the Beacon 110 Detector Head Specification Sheet for the detector head installed	The gas reading at which the Beacon 110 initiates an alarm 1 condition.
ALARM-1 (activation) (Decrease for oxygen, Increase for all other types)	Indicates if the alarm 1 circuit is activated by gas readings increasing (Increase) or decreasing (Decrease) to the ALARM-1 Level.
ALARM-1 (relay action) (N. DE-EN)	If set as N. DE-EN , the alarm 1 relay is de-energized in normal operation and energizes when an alarm 1 condition is initiated. If set as N. EN , the alarm 1 relay is energized in normal operation and de-energizes when an alarm 1 condition is initiated.
ALARM-1 (relay reset) (SELF-RST for oxygen, LATCH for all other channel types)	If set as LATCH , you must press the reset switch to reset the alarm 1 circuit after the alarm 1 condition passes. If set as SELF-RST , the Beacon 110 automatically resets the alarm 1 circuit after the alarm 1 condition passes.
A1Strobe (None if no strobe is installed, Non Reset if a strobe is installed)	If set as None , there is no strobe operation. If set as NonReset , it is not possible to turn off the strobe with the reset switch while the Beacon 110 is in an alarm 1 condition. If set as CanReset , the strobe can be turned off while the Beacon 110 is in an alarm 1 condition by pressing the reset switch.
A1 OnDy (alarm 1 on delay) (1 secs)	The amount of time the Beacon 110 delays activation of the alarm 1 circuit once an alarm 1 condition is initiated.
A1 OffDy (alarm 1 off delay) (0 sec.)	The amount of time the Beacon 110 delays turning off the alarm 1 circuit once an alarm 1 condition passes. This parameter appears only if the alarm 1 relay reset setting is set to SELF--RST .
ALARM-2 (level) See the Beacon 110 Detector Head Specification Sheet for the detector head installed	The gas reading at which the Beacon 110 initiates an alarm 2 condition.
ALARM-2 (activation) (Increase)	Indicates if the alarm 2 circuit is activated by gas readings increasing (Increase) or decreasing (Decrease) to the ALARM-1 Level.
ALARM-2 (relay action) (N. DE-EN)	If set as N. DE-EN , the alarm 2 relay is de-energized in normal operation and energizes when an alarm 2 condition is initiated. If set as N. EN , the alarm 2 relay is energized in normal operation and de-energizes when an alarm 2 condition is initiated.
ALARM-2 (relay reset) (SELF-RST for oxygen, LATCH for all other channel types)	If set as LATCH , you must press the ENTER button to reset the alarm 2 circuit after the alarm 2 condition passes. If set as SELF-RST , the Beacon 110 automatically resets the alarm 2 circuit after the alarm 2 condition passes.

Table 7: Configuration Parameters (Continued)

Parameter (Factory Set Value)	Description
A2Strobe (None if no strobe is installed, Non Reset if a strobe is installed)	If set as None , there is no strobe operation. If set as NonReset , it is not possible to turn off the strobe with the reset switch while the Beacon 110 is in an alarm 2 condition. If set as CanReset , the strobe can be turned off while the Beacon 110 is in an alarm 2 condition by pressing the reset switch.
A2 OnDy (alarm 2 on delay) (2 min for oxygen, 1 secs for all other channel types)	The amount of time the Beacon 110 delays activation of the alarm 2 circuit once an alarm 2 condition is initiated.
A2 OffDy (alarm 2 off delay) (0 sec.)	The amount of time the Beacon 110 delays turning off the alarm 2 circuit once an alarm 2 condition passes. This parameter appears only if the alarm 2 relay reset setting is set to SELF-RST .
ZeroSupp (0.0% of the detection range in terms of the detection units for carbon dioxide channel types, 0.5% oxygen for oxygen channel type, 2.0% of the detection range in terms of the detection units for all other channel types)	The zero suppression feature helps prevent “jumpy” readings near the fresh air reading. For example, if the zero suppression setting for a combustibile detector is 2.0% LEL , the Beacon 110 will display a reading of 0% LEL for gas readings from -2% LEL to 2% LEL.
FILTER (5 secs)	The filter feature helps “smooth out” jumpy or noisy signals from the detector. You can set the filter from 0 seconds to 60 seconds in 5 seconds increments. The displayed gas reading is the average reading over the previous time period defined by the filter setting. So if the filter is set to 5 seconds, the displayed gas reading is the average over the past 5 seconds.
CAL Time (15 mins)	The calibration time-out sets the amount of time after the last button push while in Calibration Mode that the Beacon 110 will wait before returning to normal operation. If the calibration time-out is set to 15 mins , then Beacon 110 will return to normal operation automatically 15 minutes after the last button push.

4. When you have scrolled through all the adjustable parameters, **SAVE IT? YES/NO** appears on the display.
5. To save the adjustments made, press and release the UP/YES button. **Config Saved** is indicated on the display for a few seconds and the Beacon 110 returns to normal operation.

If you do not wish to save the adjustments, press and release the DOWN/NO button. The **DO OVER? YES/NO** message will display. Press and release the DOWN/NO button. The **ABORT? YES/NO** message will display. Press the UP/YES button to return to normal operation.

Chapter 6: Input Mode

Overview

This chapter describes how to use Input Mode to select the Beacon 110's detector head input type and the gas type. The detector head input type determines whether a direct connect type or a 4 - 20 mA type of detector head will be used and the gas type determines the target gas and detection range.

Input Mode includes a 5-minute time-out feature. If you do not press a button for 5 minutes, the Beacon 110 automatically returns to normal operation.

NOTE: If the Beacon 110 enters normal operation because of a program time-out, it enters a warm-up period just as it does when it is first turned on.

Selecting the Detector Head Input and Gas Type

1. While in normal operation or during the warm-up sequence, press and hold the UP/YES and DOWN/NO buttons for five seconds. Release them when the following screen appears.

Select
Input?

2. If you want to exit Input Mode, press and release the DOWN/NO button. The Beacon 110 will indicate **NO CHANGE** and return to normal operation without making any changes to the detector head input type or gas type.

If you want to continue in Input Mode, press and release the UP/YES button. The top display line will indicate **Input?** and the bottom display line will indicate the detector head input type choice.
3. Use the DOWN/NO button to scroll through the choices of input types. Table 8 below lists the choices of input type for the Beacon 110.

Table 8: Beacon 110 Detector Head Input Types

Detector Head Input Type	Description
OXY DIR	An OXY DIR detector head is an oxygen detector head in which the oxygen detector is wired to the Beacon 110 with 2 wires using the OXY GRN and WHT terminals from the detector/transmitter terminal strips. All calibration adjustments are made at the Beacon 110.
TOX DIR	A TOX DIR detector head is connected to the Beacon 110 with 2 wires using the AMP + and S terminals from the detector/transmitter terminal strips. All calibration adjustments are made at the Beacon 110.
LEL DIR	An LEL DIR detector head is a combustible gas detector head in which the combustible gas detector is wired to the Beacon 110 with 4 wires using the LEL BLK, GRN, WHT, and RED terminals from the detector/transmitter terminal strips. All calibration adjustments are made at the Beacon 110.
4 - 20 mA	A 4 - 20 mA detector head is connected to the Beacon 110 with 2 or 3 wires, depending on the detector head model, using the AMP +, S, and - terminals on the detector head terminal strip. All calibration adjustments are made at the detector head.

4. When the desired detector head input type is on the display, press and release the UP/YES button. The display will ask **SAVE IT? YES/NO**.
5. If you want to discard the detector head input type change, press and release the DOWN/NO button. The display will ask **DO OVER? YES/NO**. Press the DOWN/NO button. The display will ask **ABORT? YES/NO**. Press the UP/YES button. The display will indicate **Aborting INPUT** and then **NO CHANGE** before indicating **Select GasType?**.

NOTE: If your Beacon 110 is configured as direct connect oxygen and the detector head input type selection is aborted, the Beacon 110 will return to normal operation after indicating **NO CHANGE**.

If you want to save the input type selection, press and release the UP/YES button. The display will indicate **Input Updated** for a few seconds if you changed the input type and then the display will indicate **Gas Type?** on the top display line and the gas type choice on the bottom display line. If you did not change the input type from the current type, the display indicates **NO CHANGE** and then **Select GasType?**.

NOTE: If you selected OXY DIR, the Beacon 110 will enter Configuration Mode after pressing and releasing the UP/YES button since the gas type and full scale are pre-defined for a direct connect oxygen type input. Skip to step 10.

6. If you changed the input type above, you must select a gas type. Proceed to step 7.
 If you did not change the input type, you can decide if you want to select the gas type. If you do not want to select the gas type, press and release the DOWN/NO button. The display will indicate **NO CHANGE** and the Beacon 110 will return to normal operation with the previous setup. If you do want to select the gas type, press the UP/YES button and the display will indicate **GasType?** on the top display line and the gas type choice on the bottom display line.
7. Use the DOWN/NO button to scroll through the choices of gas types. When you come to the desired choice, press the UP/YES button to select it.
 If you selected one of the defined gas types such as OXYGEN or CO, the display will ask **SAVE IT? YES/NO**. Proceed to step 8.
 If you selected the OTHER gas type, the display will indicate **GAS NAME** on the top display line and bottom line will be blank with the cursor flashing in the far left. Proceed to step 9.
8. If you did not change the input type above and want to discard the gas type selection, press and release the DOWN/NO button. The display will ask **DO OVER? YES/NO**. Press the DOWN/NO button. The display will ask **ABORT? YES/NO**. Press the UP/YES button. The display will indicate **Aborting Gas Type**, then **NO CHANGE** and the Beacon 110 will return to normal operation.
 If you want to save the gas type selection, press and release the UP/YES button. The display will indicate **Gas Type Updated**, show the target gas and the detection range for a few seconds, then the Beacon 110 will enter Configuration Mode so that the parameter settings in Configuration Mode can be verified or changed.
9. Perform the following steps to define the gas name, detection range, and units if you selected the OTHER gas type.
 - With **GAS NAME** on the top display line and the cursor flashing in the far left on the bottom display line, use the UP/YES and DOWN/NO buttons to select a character for the first character of the gas name and press ENTER to save it. The cursor will move to the next position. Repeat this process until the last character is saved.
 - The display will ask **SAVE IT? YES/NO**. Press and release the UP/YES button. The display will indicate **RANGE . . .** on the top display line prompting you to enter a full scale value and the bottom line will be blank with the cursor flashing on the far left.
 - Use the UP/YES and DOWN/NO buttons to enter a number for the first digit of the full scale value and press ENTER to save it. The cursor will move to the next position. Repeat this process until you have entered the full scale value, for example 30.0, leaving extra positions blank before pressing ENTER.
 - When you have pressed ENTER for the last time, the display will ask **SAVE IT? YES/NO**. Press and release the UP/YES button. The display will indicate **UNITS?** on the top line and the units choice on the bottom line of the display.
 - Use the DOWN/NO button to scroll through the choices until you find the desired units. (If you select the OTHER choice, perform the same procedure described above for entering the gas name and range.)
 - Press the UP/YES button to save the units. The Beacon 110 will proceed to Configuration Mode.

10. While in Configuration Mode press and release the ENTER button to accept the displayed parameter setting and move to the next one. Use the UP/YES and DOWN/NO buttons to adjust a setting. See “Chapter 5: Configuration Mode” on page 27 for a complete description of Configuration Mode.
11. When you have reviewed and accepted the last item in Configuration Mode by pressing the ENTER button, display will ask **SAVE IT? YES/NO**.
12. To save the configuration settings, press and release the UP/YES button. The display will indicate **Config Saved** and the Beacon 110 will begin its warm-up sequence.

To discard the settings and review them again, press the DOWN/NO button. The display will ask **DO OVER? YES/NO**. Press the UP/YES button and the display will indicate **Re-do Config**, then display the target gas and the detection range for a few seconds before returning to Configuration Mode. Repeat steps 6 - 8 until the settings are as desired.
13. After the Beacon 110 completes its warm-up sequence, the display will indicate **CAL NEEDED**, the buzzer will sound a steady tone, the strobe (if installed) will flash, the fail relay will activate, and the fail LED will turn on. Since the input type and/or gas type has been changed, a successful calibration must be performed before the Beacon 110 can enter normal operation.

NOTE: If the input type was set as 4 - 20 mA, the Beacon 110 will enter normal operation since calibration is done at the detector for a 4 - 20 mA type input.

14. Press and release the UP/YES button to enter Calibration Mode. Normally, you must hold the UP/YES button for 5 seconds to enter Calibration Mode, but since a calibration is required, only a momentary push is needed to enter Calibration Mode after changing the gas type.
15. See “Calibration Mode” on page 34 for calibration instructions.

NOTE: When calibrating a Beacon 110 after changing the gas type, the Beacon 110 will not ask if you want to calibrate, or whether you want to perform a fresh air adjustment, span adjustment or zero adjustment. Since a complete calibration is required, the calibration sequence will proceed without asking if you want to perform certain operations.

Chapter 7: Maintenance

Overview

This chapter describes how to calibrate the Beacon 110 using Calibration Mode, replace the AC fuses, and preventive maintenance procedures for the Beacon 110. It includes a troubleshooting guide for problems you may encounter with the Beacon 110.

Calibration Frequency

Although there is no particular calibration frequency that is correct for all applications, a calibration frequency of every 3 to 6 months is adequate for most Beacon 110 applications. Unless experience in a particular application dictates otherwise, RKI Instruments, Inc. recommends a calibration frequency of every 3 months.

If an application is not very demanding, for example detection in a clean, temperature controlled environment where a combustible or toxic gas is not normally present, and calibration adjustments are minimal at calibration, then a calibration frequency of every 6 months may be adequate.

If an application is very demanding, for example if a combustible or toxic gas is present often and in significant concentrations or the environment is not well controlled, then more frequent calibration than every 3 months may be necessary. For combustible gas detection, if potential catalyst poisons are known or likely to be present, more frequent calibration than every 3 months will be necessary.

Calibration Mode

Calibration Mode is used to calibrate the Beacon 110's detector head. The Beacon 110 can support both direct connect (internal amp) and 4-20 mA transmitter (remote amp) detector heads. Each type has special considerations when calibrating:

- Direct connect detector head.
If a direct connect detector head is installed, then all calibration adjustments are made at the Beacon 110 after calibration gas is applied to the detector.
- 4-20 mA transmitter detector head.
If a 4-20 mA transmitter detector head is installed, then all calibration adjustments are made at the detector head while calibration gas is being applied to the detector.

Calibration Gas Response Memory Feature

When a direct connect detector head is installed, the Beacon 110 has the capability to "remember" the detector's response to the calibration gas after the gas is removed from the detector during the fresh air or span (zero for an oxygen detector) adjustment procedure. This feature enables one person to perform calibration if the detector is mounted remotely from the Beacon 110. When zero air is applied to the Beacon 110 during a fresh air adjustment, the Beacon 110 will freeze the display reading at the lowest (highest for an oxygen detector) response and the Beacon 110 will continue to display this reading and retain it in its memory until the fresh air adjustment procedure is completed.

When calibration gas is applied to the Beacon 110 during a span (zero for an oxygen detector) adjustment, the Beacon 110 will freeze the display reading at the highest (lowest for an oxygen detector) response to the calibration gas. The calibration gas can then be removed and the Beacon 110 will continue to display this reading and retain it in its memory until the span (zero for an oxygen detector) adjustment procedure is completed.

Calibration Program Flow

Figure 12 and Figure 13 below illustrate the general flow of the Calibration Program for the two detector head types. See the next section, “Entering Calibration Mode”, for instructions to enter Calibration Mode. In general, if a question mark, “?”, is part of the display text, use the UP/YES or DOWN/NO button to respond. Use the UP/YES and DOWN/NO buttons to increase or decrease a displayed gas reading when performing a span (zero for oxygen) operation, and use the ENTER button to accept a displayed value and continue.

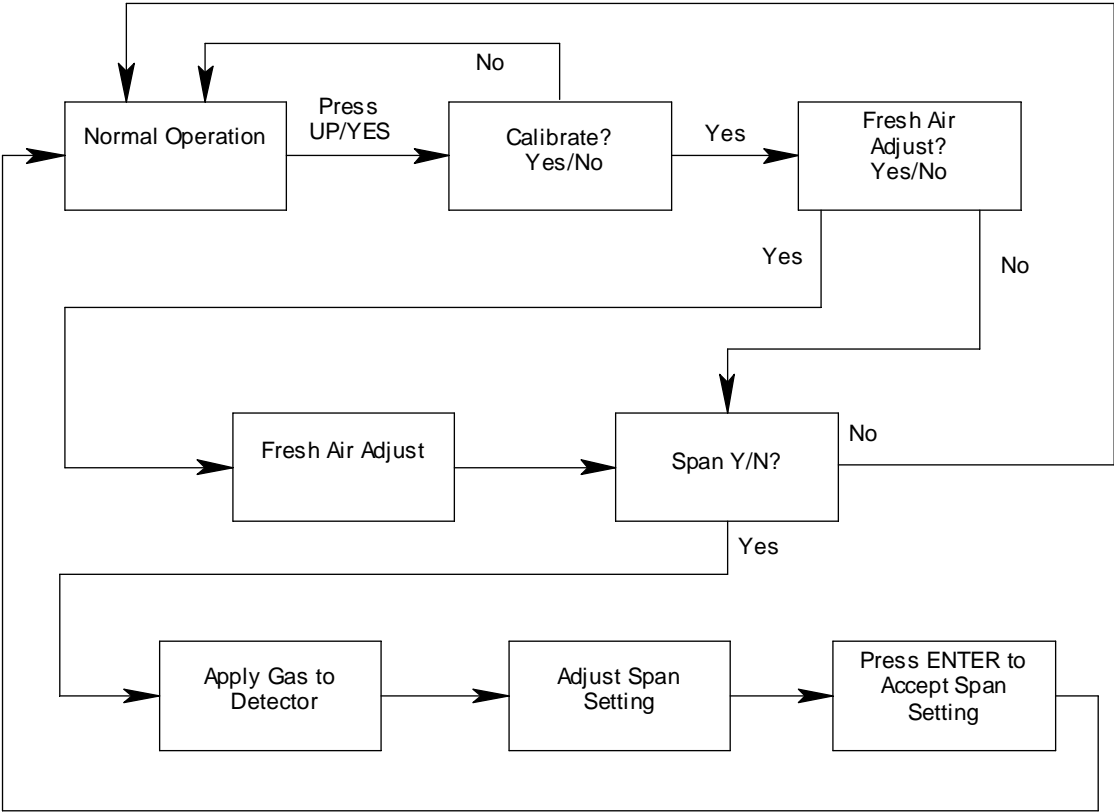


Figure 12: Direct Connect Detector Head

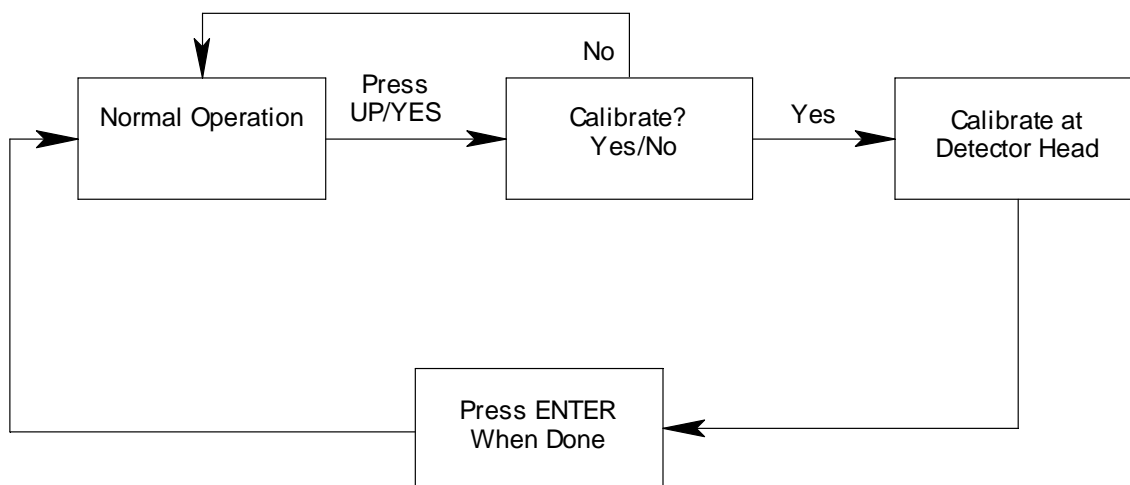


Figure 13: 4 - 20 mA Transmitter Detector Head

Entering Calibration Mode

WARNING: *The Beacon 110 is not an active gas monitoring device during the calibration procedure. The 4-20 mA output signal will “freeze” at 3.5 mA (17.4 mA if an oxygen detector head is installed) and all relays will remain in their non-alarm state while the Beacon 110 is in Calibration Mode. The 4 - 20 mA output signal will not indicate current readings and the relays will not resume operating normally until the Beacon 110 is in normal operation again.*

1. While in normal operation, press and hold the UP/YES button for 5 seconds to enter Calibration Mode. Release the button when the following screen appears.

Calib?
YES/NO

2. If you want to exit Calibration Mode, press and release the DOWN/NO button. The Beacon 110 will indicate **Leaving CAL Mode** and the Beacon 110 will return to normal operation.

If you want to continue with calibration, press and release the UP/YES button. If a direct connect detector head is installed, the display will indicate the target gas and **CAL Mode** for a few seconds before showing **FreshAir Adjust?**. If a 4 - 20 mA transmitter detector head is installed, the display will alternate between **CAL AT AMP** and the current gas reading.

NOTE: The Beacon 110 can support one detector head which is either a 4-20 mA detector head or a direct connect detector head. The following examples illustrate each type. See the detector head operator's manual for calibration information and procedures specific to your detector head.

Calibrating a 4 - 20 mA Detector Head

If a 4-20 mA detector head is installed on the Beacon 110, proceed as follows:

1. The display will be alternating between **CAL AT AMP** and the current gas reading as described above.
2. Verify that the detector head is in a fresh-air environment. (If necessary, use a zero-emission air cylinder, also known as zero air, to introduce a fresh-air sample when adjusting the fresh air reading below.)
3. Adjust the detector head's fresh air reading (sometimes referred to as the zero reading for non-oxygen detector heads). See the detector head operator's manual for instructions on how to adjust the fresh air reading.
4. Apply calibration gas to the detector head's detector and adjust the detector head's span reading (zero reading for oxygen). See the detector head's operator's manual for instructions on how to adjust the span reading (zero reading for oxygen).
5. Press and release the ENTER button to indicate that you are done with calibrating the detector head. The display will indicate **Leaving CAL Mode** for a few seconds.
6. The display will now alternate between the normal operation screen and the message **REMOVE CAL GAS** for 1 minute. If the calibration gas has not been removed from the detector, remove it now to avoid unwanted alarms.

During this 1 minute period, the 4 - 20 mA output will remain fixed at 3.5 mA (17.4 mA if an oxygen detector head is installed) and the relays will remain in their non-alarm state to avoid unwanted alarms while the calibration gas clears from the detector. At the end of the 1 minute period, the **REMOVE CAL GAS** message will stop appearing and the Beacon 110 will return to normal operation.

Calibrating a Direct Connect Detector Head

If a direct connect detector head is installed on the Beacon 110, proceed as follows:

1. The display will indicate **FreshAir Adjust?** as described above in "Entering Calibration Mode".
2. If you want to skip adjusting the fresh air reading, press and release the DOWN/NO button. The display will indicate **SPAN w/Cal Gas? (ZERO w/Cal Gas?** for an oxygen detector head). Skip the next step and continue with step 4.

If you want to continue with adjusting the fresh air reading, press and release the UP/YES button. **ENTER** will alternate with **FreshAir** on the top display line and the current gas reading will be on the bottom display line.

3. If the detector is in a fresh air environment, press and release the ENTER button. The Beacon 110 will perform a fresh air adjustment and the display will indicate **SPAN w/Cal Gas? (ZERO w/Cal Gas?** for an oxygen detector head).

If you suspect the detector area is not a fresh air environment, apply zero air to the detector before pressing the ENTER button to perform the fresh air adjustment. See the detector head operator's manual for instructions to apply zero air to the detector. The Beacon 110 will freeze the display reading at the lowest level reached while applying zero air (highest level for an oxygen detector head). After applying zero air for the required amount of time, usually two minutes, remove the zero air source from the detector. Press and release the ENTER button at the Beacon 110. The Beacon 110 will perform a fresh air adjustment and the display will indicate **SPAN w/Cal Gas? (ZERO w/Cal Gas?** for an oxygen detector head).

4. If you want to skip adjusting the span (zero for an oxygen detector head) setting, press and release the DOWN/NO button. The display will indicate **Leaving Cal Mode** and the Beacon 110 will return to normal operation.

If you want to continue with adjusting the span setting, press and release the UP/YES button. **APPLY** will alternate with **SPAN Gas (ZERO Gas** for an oxygen detector head) on the top display line and the current gas reading will be on the bottom display line.

5. Apply calibration gas to the detector. See the detector head operator's manual for instructions on how to apply gas to the detector.

When calibration gas is applied, the Beacon 110 will freeze the display gas reading at the highest level reached while the gas was applied (lowest for an oxygen detector head).

6. After applying calibration gas for the required amount of time, usually two minutes, remove the gas from the detector. The Beacon 110 will continue to display the maximum gas response (lowest for an oxygen detector head) on the display and retain the response level in its memory.
7. Adjust the gas reading up or down to match the calibration gas cylinder concentration by using the UP/YES and DOWN/NO buttons, then press and release the ENTER button.

NOTE: If calibrating an oxygen detector head and a cylinder other than a 100% nitrogen (0% oxygen) cylinder is used to set the zero reading, such as a cylinder with 12% oxygen, set the zero reading to match the cylinder's oxygen concentration.

8. The Beacon 110 will perform a span (zero for an oxygen detector head) operation. The display will indicate **SPAN Gas PASS (ZERO Gas PASS** for an oxygen detector head) for a few seconds, then indicate **SPAN Gas SAVED (ZERO Gas SAVED** for an oxygen detector head) before indicating **Leaving CAL Mode** for a few seconds.

9. The display will now alternate between the normal operation screen and the message **REMOVE CAL GAS** for 1 minute. If the calibration gas has not been removed from the detector, remove it now to avoid unwanted alarms.

During this 1 minute period, the 4 - 20 mA output will remain fixed at 3.5 mA (17.4 mA if an oxygen detector head is installed) and the relays will remain in their non-alarm state to avoid unwanted alarms while the calibration gas clears from the detector. At the end of the 1 minute period, the **REMOVE CAL GAS** message will stop appearing and the Beacon 110 will return to normal operation.

10. Store the components of the calibration kit in a safe place.

Replacing the Fuses

The Beacon 110 has two replaceable AC fuses.

NOTE: To replace other components of the Beacon 110, contact RKI Instruments, Inc. for further information.

1. Turn off or unplug all incoming power to the Beacon 110.
2. Open the housing door of the Beacon 110, then place the power switch in the OFF position.
3. Locate the vertical fuse holders above the AC In Terminal Strip. The AC fuses are labelled F1 and F2 on the main PCB silkscreen.
4. Use a flat-blade screwdriver to rotate the applicable fuse holder 1/4 turn counterclockwise. The fuse holder releases from the socket.
5. Remove the fuse holder from the socket, then remove the fuse from the fuse holder.

CAUTION: *Verify that the replacement fuse is the same type and rating as the fuse you are replacing. See the "Parts List" on page 42 for correct fuse.*

6. Install the appropriate replacement fuse in the fuse holder, then place the fuse holder in the socket.
7. Push the fuse holder into the socket, then turn the holder 1/4 turn clockwise to secure it in the socket.
8. Plug in or turn on all incoming power to the Beacon 110.
9. Place the Beacon 110's power switch in the ON position, then verify that the Beacon 110 completes its warm-up sequence and enters normal operation.
10. Close and secure the housing door.

Preventive Maintenance

Preventive maintenance of the Beacon 110 consists of daily, monthly, and quarterly procedures to ensure that the detector head is operating properly. See the detector head operator's manual for preventive maintenance procedures that apply to the detector head supplied with your Beacon 110.

Troubleshooting

The troubleshooting guide describes symptoms, probable causes, and recommended action for problems you may encounter with the Beacon 110.

NOTE: This troubleshooting guide describes controller problems only. See the detector head operator's manual for troubleshooting procedures that apply to the detector head supplied with your Beacon 110.

Table 9: Troubleshooting the Beacon 110

Condition	Symptom(s)	Probable Causes	Recommended Action
No Power	<ul style="list-style-type: none"> The display backlight is off and the display screen is blank. 	<ul style="list-style-type: none"> The power wiring is disconnected or misconnected. One or both AC fuses is blown. The display cable is disconnected or misconnected. 	<ol style="list-style-type: none"> Verify that the wiring to the power source is correct and secure. At the Beacon 110, verify that the wiring to the AC terminals is correct and secure. Check the continuity of the AC fuses. Verify that the display cable is connected. The display (ribbon) cable plugs into a connector on the top edge of the control PCB and on the main PCB below the control PCB. If the power difficulties continue, contact RKI for further instruction.
Frequent or Suspect Alarms	<ul style="list-style-type: none"> The Beacon 110 alerts you to frequent or suspect alarms while the detector head's fresh air readings remain on zero (20.9 for oxygen). 	<ul style="list-style-type: none"> The Beacon 110 is experiencing false readings due to RFI or EMI. The detector head wiring is disconnected, misconnected, or intermittent. 	<ol style="list-style-type: none"> Verify that the detector head wiring is properly shielded (see the detector head operator's manual). Verify that the detector head wiring is correct and secure. Verify that power and detector head wiring is routed through separate conduit hubs on the bottom of the Beacon 110 housing. Increase the alarm on delay setting in Configuration Mode. If the frequent or suspect alarm difficulties continue, contact RKI for further instruction.

Table 9: Troubleshooting the Beacon 110 (Continued)

Condition	Symptom(s)	Probable Causes	Recommended Action
Flickering Display	<ul style="list-style-type: none"> • The display reading flickers often. 	<ul style="list-style-type: none"> • The Beacon 110 is experiencing false readings due to RFI or EMI. • The noise filter setting is too low. • The zero suppression setting is too low. • The display screen is malfunctioning. 	<ol style="list-style-type: none"> 1. Verify that the detector head wiring is properly shielded (see the detector head operator's manual). 2. Verify that the detector head wiring is correct and secure. 3. Verify that power and detector head wiring is routed through separate conduit hubs on the bottom of the Beacon 110 housing. 4. Increase the filter setting in Configuration Mode. 5. Increase the zero suppression setting in Configuration Mode. 6. If the display difficulties continue, contact RKI for further instruction.
Buzzer Not Working	<ul style="list-style-type: none"> • The buzzer does not sound an audible alarm during alarm conditions. • The buzzer sounds weak or broken. 	<ul style="list-style-type: none"> • The buzzer is disconnected or misconnected. • The buzzer is malfunctioning. 	<ol style="list-style-type: none"> 1. Verify that the wiring to the ALARM BUZZER + & - terminals of the Controller Terminal Strip is correct and secure. 2. If the buzzer difficulties continue, contact RKI for further instruction.
Reset Switch Not Working	<ul style="list-style-type: none"> • The buzzer does not silence when you press the reset switch. • The alarm 1 or alarm 2 circuit does not reset when you press the reset switch after the alarm condition passes. 	<ul style="list-style-type: none"> • The reset switch is disconnected or misconnected. • The reset switch is malfunctioning. 	<ol style="list-style-type: none"> 1. Verify that the wiring to the ALARM RESET (2) terminals of the Alarm/Controller Terminal Strip is correct and secure. 2. If the reset switch difficulties continue, contact RKI for further instruction.
If Installed, Option Strobe Not Working	<ul style="list-style-type: none"> • The strobe does not flash when an alarm 1 or alarm 2 condition occurs. • The strobe does not flash when a fail condition occurs. 	<ul style="list-style-type: none"> • The strobe is not setup to activate in an alarm 1 or alarm 2 condition. • The strobe is not connected to the strobe terminal strip properly. • The strobe is malfunctioning. 	<ol style="list-style-type: none"> 1. Verify that the strobe is setup properly for the desired alarm operation in Configuration Mode. See "Chapter 5: Configuration Mode" on page 27. 2. Verify that the strobe is wired properly to the strobe terminal strip. The red wire goes to the + terminal and the black wire goes to the - terminal.

Parts List

Table 10 lists replacement parts and accessories for the Beacon 110.

Table 10: Parts List

Part Number	Description
18-0107RK	Conduit Hub (3/4 in.)
43-0440RK	Reset Switch
43-4165RK	AC Fuse, 1/4" x 1 1/4", fast acting, 3A, 250 V
51-0065RK-01	Replacement lens assembly for strobe
51-0066RK	Strobe, red, 24 VDC, NEMA 4X
51-0096RK	Strobe/horn, 10-33 VDC, NEMA 4X
52-1016RK	Buzzer
71-0110RK	Beacon 110 Gas Monitor Operator's Manual (this document)

Appendix A: Control Button Quick Reference Guide

The Beacon 110's control buttons and reset switch allow access to operational modes, resetting of alarms, and display of the Information Screen. Table 11 shows which button combinations perform these functions and which parameters are available for adjustment while in the operational modes. While in these modes, display prompts showing a “?” require you to respond by pressing either the UP/YES (for yes) or DOWN/NO (for no) button. To change parameter settings, use the UP/YES and DOWN/NO buttons to get the desired setting, then press and release the ENTER button to accept the setting.

Table 11: Control Button Quick Reference Chart

Mode Entered or Function Performed	Button Combination	Adjustable or Viewable Parameters
Alarm Reset	Press and Release the Reset Switch	n/a
Min/Max	Press and Hold the Reset Switch for 3 seconds	Minimum and maximum readings can be viewed and reset.
Show Information Screen	Press and Hold DOWN/NO	<ul style="list-style-type: none"> Operating DC Voltage. For AC powered units, this is the DC voltage from the power supply. Beacon 110 Version/Revision Information
Calibration Mode	Press and Hold UP/YES for 5 seconds	<ul style="list-style-type: none"> Fresh Air Adjust Span (or Zero for Oxygen) Adjust with Calibration Gas
Configuration Mode	Press and Hold UP/YES & ENTER for 5 seconds	<ul style="list-style-type: none"> Alarm Levels Increasing or Decreasing Alarms Normally Energized or Normally De-energized Relays Latching or Self-resetting Alarms Strobe operation (if installed) Alarm On Delay Alarm Off Delay (if self-resetting) Zero Suppression Noise Filter Calibration Time-out Period
Input Mode	Press and Hold UP/YES and DOWN/NO for 5 seconds	Define Detector Head Input