



MULTI-FUNCTION STEEL BODY FLOW METER TKS-3/TKP-3/TKM-3 SERIES

The **TK Series** Paddlewheel Flow Meter provides High Accuracy at Low Cost and is ideal for plastic piping. The **TK Series** consists of a Rugged True Union Industrial Design that is Suitable for Corrosive Applications with virtually no pressure drop

M12 Quick Disconnect

No Programming
Plug & Play Design



TKS



TKP,TKM

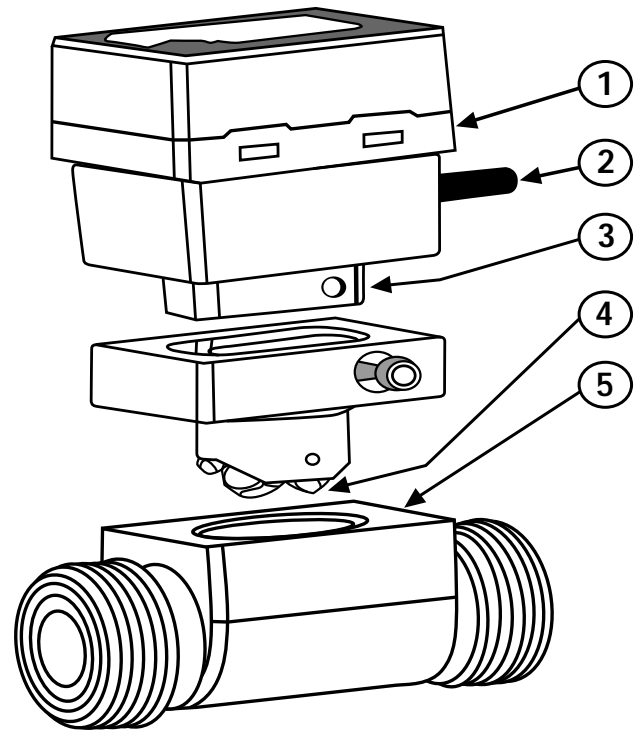
Features

- High Accuracy
Less than $\pm 1.0\%$ of Full Scale
- Unit of Flow Measurement is Selectable
(Liter/Gallon/Kilo-liter)
- Corrosion Resistant Materials
PVC/PP/316SS
- Low Cost Visual Indication
- Easy Installation – No Mounting Kits
- High Flow Range
(.3m/s - 10m/s) (.98 ft/s - 32.8 ft/s)
- Easy to Program
- Compact Design
- Large Bright LED Digital Display
- Horizontal or Vertical Installation
- Size Range 1/2" – 4"
- Low Pressure Drop
- (4-20 mA) + (Pulse)-Output Signal NEMA 4X
- Enclosure
- Suitable for Corrosive Environments
- Password Protected Security
- True - Union Design 1/2" - 2" (Flanged 3" - 4")
- For Higher Temperatures Above 140°F use PP with CPVC Socket or NPT End Connectors



Parts TK Series

- ① Flow Controller
- ② Lead Wire
- ③ Hall Sensor
- ④ Paddle Wheel
- ⑤ Body (PVC, PP, 316 SST)



Product Selection

EXAMPLE :

TKP — 25 — A — PVC
 (1) (2) (3) (4)

SERIES

TKM = Paddle Wheel Flow Meter with Transmitter
 -4 -20mA + (Flow Rate Pulse + Totalizer Pulse)
 TKP = Paddle Wheel Flow Meter & Flow Totalizer
 + (Flow Rate Pulse + Flow Totalizer Pulse)
 TKS = Paddle Wheel Flow Meter with Relay Output
 + (Flow Rate Pulse)

PIPE SIZE

15 = (1/2") / 20 = (3/4")
 25 = (1") / 40 = (1 1/2")
 50 = (2") / 80 = (3") 100 = (4")

COMMUNICATION OR TRANSMITTER

Non = Without Communication
 RS = TKP Series with RS-485 MODBUS Selectable
 A = TKM Series with Transmitter (4- 20mA) + Pulse

BODY MATERIAL

PVC = PVC
 PP = Polypropylene
 ST = 316 SST

CONNECTION METHOD

STD = Wire Lead (3m) - Other Lengths Available

General Data

SPECIFICATION	DESCRIPTION
Fluid	Water or Chemicals Liquid - Viscosity Range: .5-20 centistokes
Accuracy	> ± 1.0% of F.S. @ 20°C (68°F) - Repeatability ± .5% of Full Scale
Max Flow Velocity	10 m/s max - (32.8 ft/s max)
Min Flow	0.3 m/s min. - (.98 ft/s min)
Operating press	150 psi
Turndown	33:1
Response time	Real Time
Material of Construction	Paddle: Tefzel Body: PVC/PP/316 Shaft: Zirconium Ceramic Seals: EPDM/FPM
Operating Temperature	PVC < 60°C (140°F) PP < 80°C (176°F) 316 SST < 120°C (148°F)
Electronics	+ 50°C (122F)
Protection Class	IP66 NEMA 4X
Approval	CE Rohs
Current Draw	60mA Max
Operating Voltage	10-30VDC



Typical application

